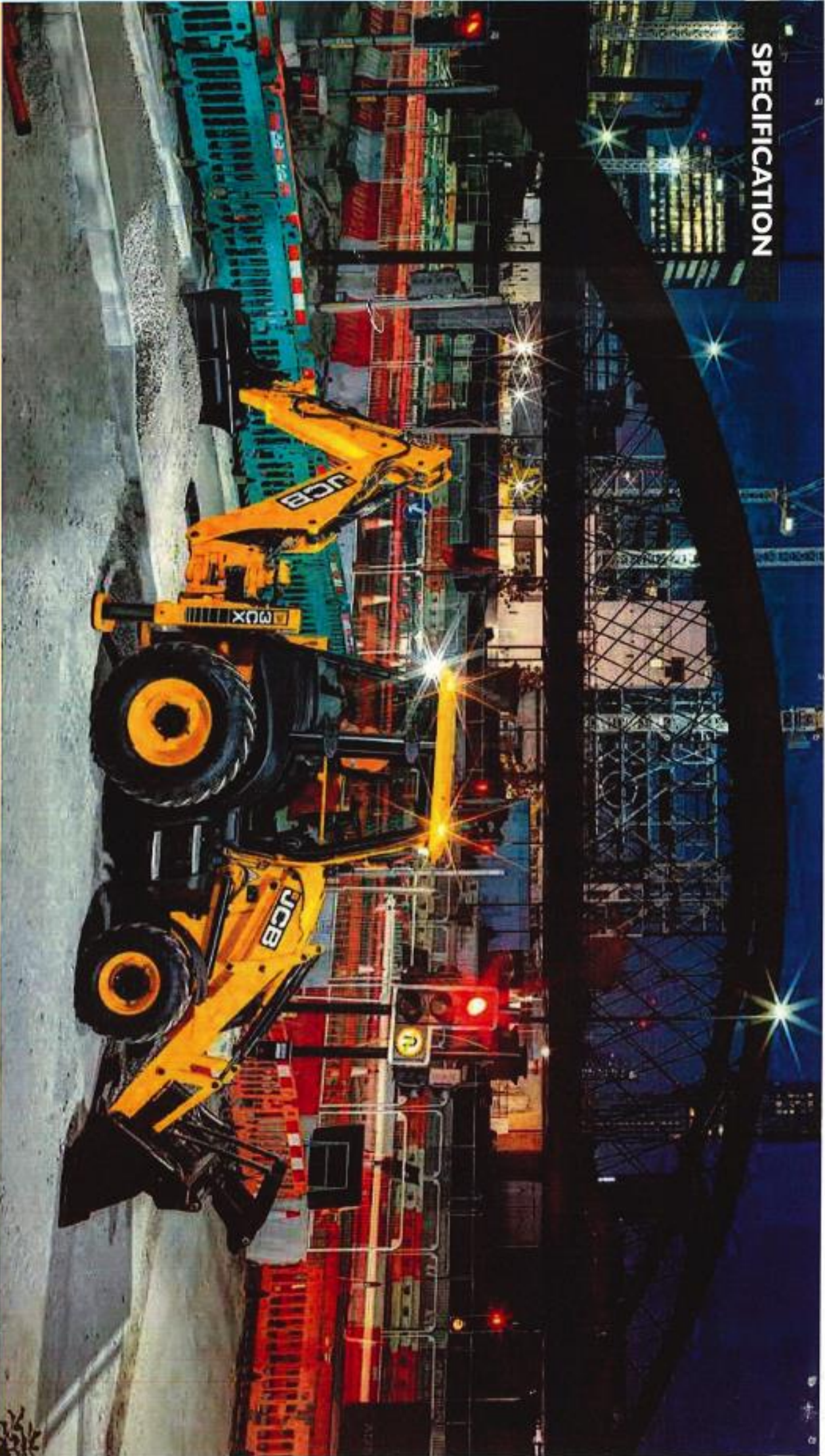


SPECIFICATION

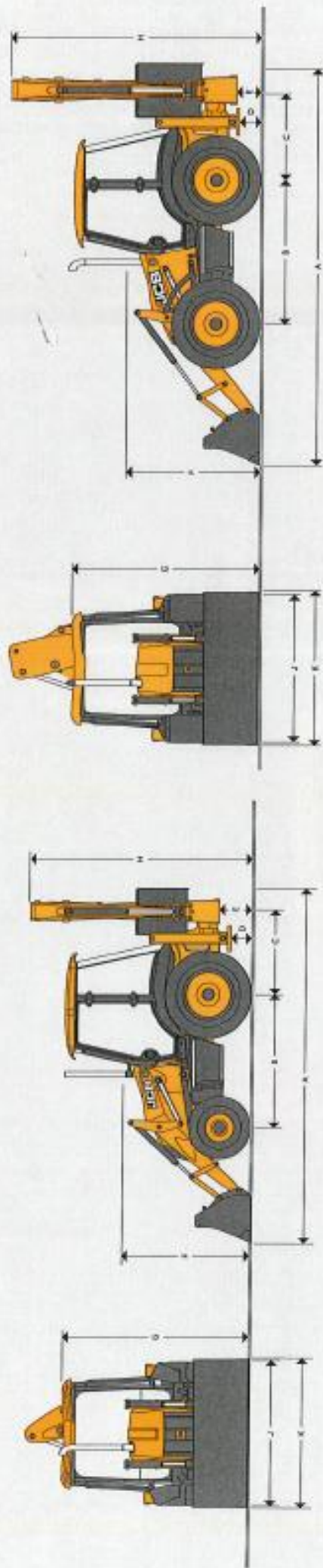


EXCAVATOR LOADER | 3CX ECO, 3CX PLUS, 3CX PRO, 4CX PLUS, 4CX PRO, 5CX PRO

Gross power: 55kW (74hp) - 81kW (109hp) | Maximum dig depth: 6.51m | Weight: 7702 - 8880kg

 **JCB**

STATIC DIMENSIONS

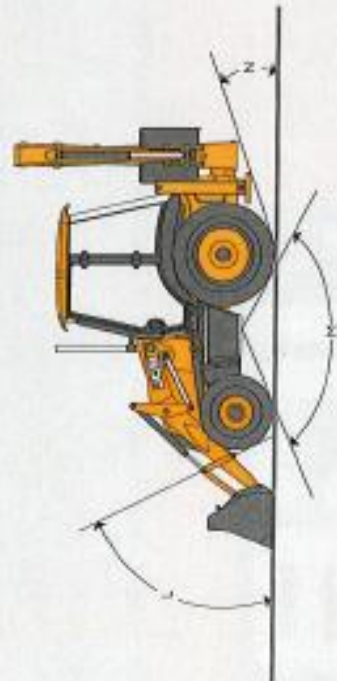


Dimensions in m	3CX ECO	3CX PLUS	3CX PRO	4CX PLUS	4CX PRO	5CX PRO
A Total travel length	5.62	5.62	5.62	5.91	5.91	5.91
B Axle centreline distance	2.17	2.17	2.17	2.22	2.22	2.22
C Slow centers to rear axle centre distance	1.36	1.36	1.36	1.36	1.36	1.36
D Subtiler feet clearance	0.37	0.37	0.37	0.33	0.34	0.34*
E Kingpost clearance	0.52	0.52	0.52	0.48	0.50	0.50
F Steering wheel centre height	1.94	1.94	1.94	1.86	1.88	1.88
G Cab roof height	3.03	3.03	3.03	2.98	3.03	3.03
H Total travel clearance	3.61	3.61	3.61	3.48	3.62	3.97
J Rear frame width	2.35	2.35	2.35	2.36	2.36	2.36
K Shovel width	2.35	2.35	2.35	2.33	2.33	2.33
K Shovel width - option	-	-	-	-	2.44	2.44

* Narrow option

GROUND LINE ANGLES

Machine model	3CX ECO, 3CX PLUS, 3CX PRO	4CX PRO, 5CX PRO
L Approach angle	66°	74°
M Interference angle/ramp to ground plane	120°	118°
N Departure angle	30°	19°



ENGINE					
Model	3CX ECO	3CX PLUS* 4CX PLUS*	3CX PLUS 3CX PRO	4CX PRO 5CX PRO	
Engine standard	Stage V	Stage V	Stage V	Stage V	
Manufacturer	JCB	JCB	JCB	JCB	
Aspiration	Turbocharged & Intercooled	Turbocharged & Intercooled	Turbocharged & Intercooled	Turbocharged & Intercooled	
Displacement	litre	4.8	4.8	4.8	
No. of cylinders	4	4	4	4	
Bore	mm	92	106	106	
Stroke	mm	112	112	112	
Rated engine	rpm	2200	2200	2200	
Power ratings					
Rated ISO 14396 (SAE J1995 Gross)	kW	55	72	81	81
Maximum torque					
Max. torque rpm	Nm	440	450	516	516
Max. torque rpm	rpm	1200	1450	1450	1450

ELECTRICAL AND INSTRUMENTATION					
7" colour display screen					Auto and phone, controls, engine coolant temperature, fuel level, machine hours, help files, service alerts, dock
Front display					Speedometer, warning alerts, engine oil, water in fuel, transmission oil temperature and pressure, park brake, air cooler, alternator
Battery					1000 CCA (120 amp)
Horn					Controlled from both front and rear
Adaptor					95 amp (55kW), 150 amp (72kW) (kW)
Front working lights					4 adjustable
Rear working lights					4 adjustable

ENGINE SUPPORT SYSTEM

Fuel type	Diesel
Fuel filter	Replaceable cartridge plus water/sediment separator prefilter
Air cleaner	Dual, dry element type, with seal cleaning, manual air intake pre-cleaner
Oil filter and lubrication	Full flow, spin-on type filter
Cooling system	Hot climate specification, pressurised 1.0 bar suction fan, Pressurised recovery tank with integral filter-neck

TRANSMISSION															
Model	3CX ECO 55kW			3CX PLUS 72kW			3CX PLUS 81kW			3CX PRO 81kW		4CX PLUS 72kW		4CX PRO, 5CX PRO	
Manufacturer	JCB	JCB	JCB	JCB	JCB	JCB	JCB	JCB	JCB	JCB	JCB	JCB	JCB	JCB	JCB
Type	Synchromate	Synchromate	Synchromate	Synchromate	Synchromate	Synchromate	Synchromate	Synchromate	Synchromate	Synchromate	Synchromate	Synchromate	Synchromate	Synchromate	Synchromate
Gear selection	Manual	Powershift	Powershift	Manual	Powershift	Powershift	Manual	Powershift	Powershift	Manual	Powershift	Powershift	Manual	Powershift	Powershift
Throttle lock	N/A	Optional	Optional	N/A	Standard	Standard	Standard	Standard	Standard	N/A	Standard	Standard	N/A	Standard	Standard
Gear 1	5.8	5.0	5.0	5.8	5.4	5.4	5.4	4.9	4.9	5.1	4.9	4.9	5.1	4.9	4.9
Gear 2	9.4	9.3	9.3	9.4	10.0	10.0	10.0	8.8	8.8	8.3	8.6	8.6	8.3	8.6	8.9
Gear 3	20.2	21.5	21.5	20.2	22.5	22.5	22.5	12.6	12.6	17.7	19.8	19.8	17.7	19.8	12.6
Gear 4	41.8	38.1	38.1	41.8	41.8	41.8	41.8	18.2	18.2	36.7	36.7	36.7	36.7	36.7	18.2
Gear 5	-	-	-	-	-	-	-	33	33	-	-	-	-	-	33
Gear 6	-	-	-	-	-	-	-	47	47	-	-	-	-	-	42

** Engine Speed at 2200rpm on 400/70-20 Front Tyres and 480/80-R26 Rear Tyres.

OPERATING WEIGHTS

Machine model	3CX ECO		3CX PLUS		3CX PRO		4CX PLUS, 4CX PRO		5CX PRO	
Fixed dipper	kg	7702					8178			8394
Extended dipper	kg	8135					8135			8680

Operating weight to ISO 6011 includes machine with 64-hl shovel, 600mm excavator bucket and a full fuel tank and operator. Actual weight will vary depending on machine options.

FRONT AXLE	
Model	3CX ECO, 3CX PLUS, 3CX PRO 4CX PLUS, 4CX PRO, 5CX PRO
Type	JCB steer drive with torque proportional JCB epicyclic hub reduction with torque proportional
Limited slip	Option
Axle ratings	kg
Static load rating	16500
Dynamic load rating	8300
Oscillation angle	16°

REAR AXLE	
Model	3CX ECO, 3CX PLUS, 3CX PRO 4CX PLUS, 4CX PRO, 5CX PRO
Type	JCB epicyclic hub reduction with torque proportional JCB epicyclic hub reduction with torque proportional
Limited slip	Option
Axle ratings	kg
Static load rating	25000
Dynamic load rating	12500

STEERING	
Model	3CX ECO, 3CX PLUS, 3CX PRO 4CX PLUS, 4CX PRO, 5CX PRO
Axles	Steer drive
Steering turns - lock to lock	24°
	Steer drive
	24°
Kerb - kerb turning circle - unbraked	m
Loader clearance circle - unbraked	8.1
Kerb - kerb turning circle - braked	10.4
Loader clearance circle - braked	6.9
(Depending on tyre size, ground conditions etc.)	9.5

SERVICE CAPACITIES	
Model	3CX ECO, 3CX PLUS, 3CX PRO 4CX PLUS, 4CX PRO, 5CX PRO
Cooling system	tr 18.5
Fuel tank	tr 150
Engines oil with filter	tr 15
Gearbox with filter	tr 16
Rear axle	tr 16
Front drive axle	tr 16
Hydraulic system incl. tank	tr 117

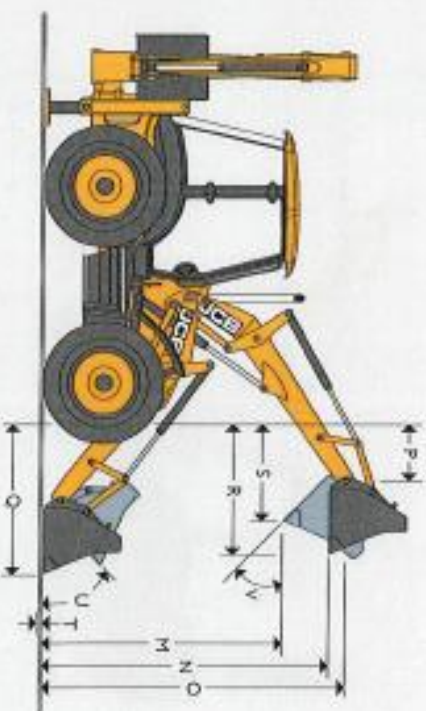
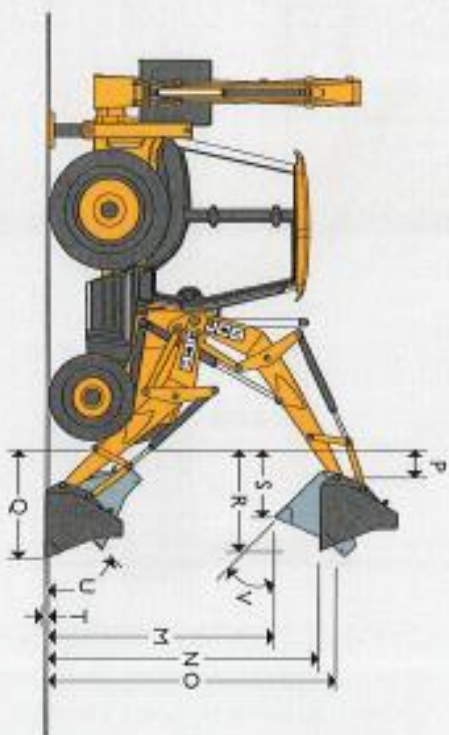
HYDRAULIC SYSTEM	
Piston pump flow @ 2200rpm	l/min 165
System relief pressure	bar 251
Loader auxiliary flow	l/min
Smooth Ride System SRS standard.	140

OPTIONAL ACCESSORIES

Tires - Michelin brand of tyres with a selection of traction/industrial tread in a crossply/radial construction. Sauerlander brand. Hydraulics - Hammer pipework, Bi-directional pipework, Hand-held tool circuit, 9m hose reel, Excavator fitting kits for EN174 and non-EN174. Machine features - JCB Power Slide, Grid heaters, Stabiliser street pads, Lubricity/fitz. Biodegradable oil. Machine and site protection - Fuel tank guards, Stabiliser street pads, Lubricity/fitz. Biodegradable oil. Attachments - Standard excavator buckets (300mm to 900mm), Deep profile excavator bucket (300mm to 940mm), Ditching buckets (154mm to 1828 Bmm), General purpose (6-m) front shovel (1m³ to 1.3m³), Manual/hydraulic front attachment, Manual/hydraulic rear attachment, Hammer pipework, Bi-directional pipework, Hand-held tool circuit. Safety and security - Reverse alarm.

CAB CONFIGURATION	
Seat and comfort	Availability
Mechanical suspension seat	● Exterior mirrors
Air suspension seat	○ Interior rear-view mirror
Seat head rest	○ Front windscreen heater
Arm rest	● 10 LED working lights
Seat belt	● Reverse alarm
Heater	● LED roof beacons
Air conditioning (3CX PRO, 4CX PRO, 5CX PRO)	● Controls
Air conditioning (3CX ECO, 3CX PLUS, 4CX PLUS)	○ Servo controls (ISO/SAE changer)
Doors and windows	Security
Tinted glass	● Instrumental-panel vandal guard
Front windscreen wiper	● Fire extinguisher
Rear windscreen wiper	● Immobiliser (standard in UK and on 3CX PLUS, 4CX PLUS)
Rear one piece opening window	● LiveLink (region specific)
Door air fans	● Rear light guards
Steering column	● Front bumper protection
Tilted steering column	● End boom clamping
Steering wheel knob	● Storage
Telescopic steering column	○ Side storage & roof storage (optional)
Yellow cab grab handles	● Radio
Automatic cab interior light	● (Bluetooth, USB aux, SD) & speakers, integrated hands free phone system
● Standard ○ Option	

NOISE AND VIBRATION LEVELS	
Internal dB(A)	74dB(A) - (55 to 68kW engine) 75dB(A) - (81kW engine)
External dB(A)	102
Vibration	Hand arm vibration 2.5m/s ² - Whole body vibration 0.5m/s ²



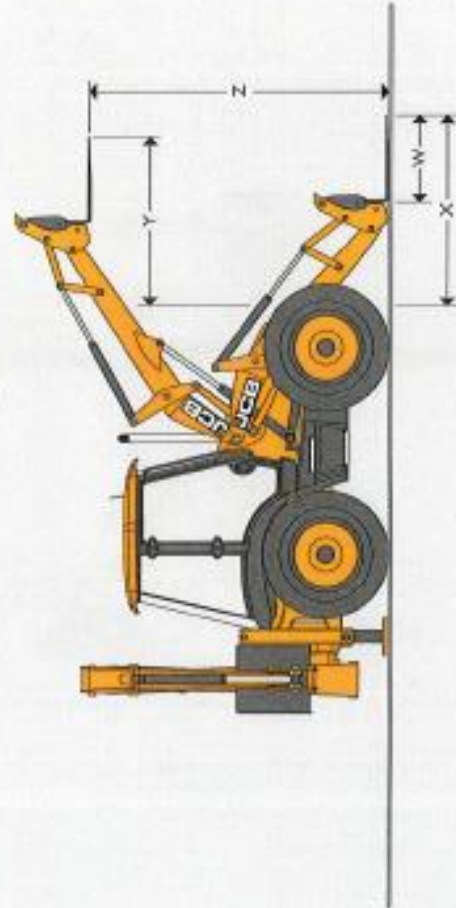
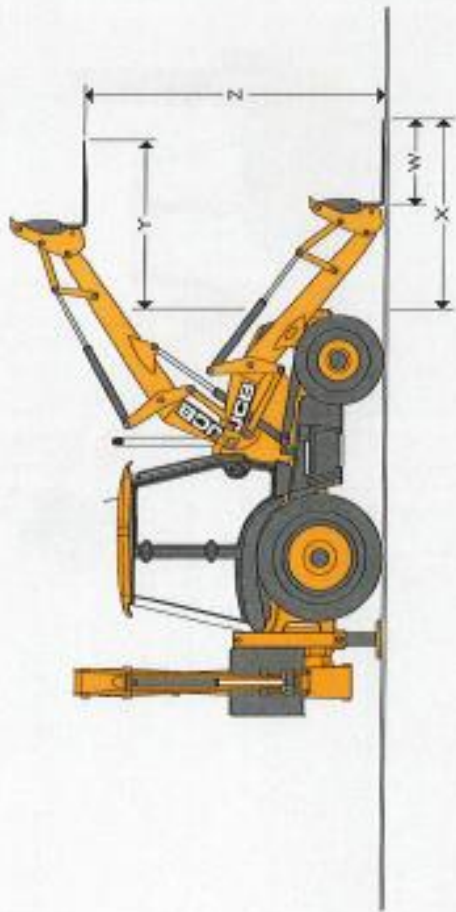
Model	3CX ECO, 3CX PLUS, 3CX PRO		4CX PLUS, 4CX PRO		4CX PRO, 5CX PRO	
	GP shovel	6-in-1 shovel	6-in-1 shovel	6-in-1 shovel	6-in-1 shovel	6-in-1 shovel
M Dump height	2.74	2.72	2.69	2.69	2.69	2.69
N Load over height	3.23	3.30	3.13	3.18	3.18	3.18
O Loader hinge pin height	3.45	3.45	3.41	3.46	3.46	3.46
P Pin forward reach	0.36	0.36	0.47	0.41	0.41	0.41
Q Reach at ground (top plate horizontal)	1.42	1.37	1.50	1.39	1.39	1.39
R Mix reach at full height	1.20	1.15	1.22	1.17	1.17	1.17
S Reach at full height fully dumped	0.83	0.78	0.82	0.76	0.76	0.76
T Dig depth	0.07	0.10	0.23	0.18	0.18	0.18
U Roll back at ground	45°	45°	45°	45°	45°	45°
V Dump angle	43°	43°	44°	45°	45°	45°
Jaw opening width	-	0.95	0.95	0.95	0.95	0.95

LOADER PERFORMANCE

Model	3CX ECO, 3CX PLUS, 3CX PRO		3CX PRO		4CX PLUS, 4CX PRO, 5CX PRO	
	GP shovel	6-in-1 shovel	6-in-1 shovel	6-in-1 shovel	6-in-1 shovel	6-in-1 shovel
Loader breakout - shovel	6170	6531	6531	6530	6530	6530
Loader breakout - arm	4942	4732	6203	5730	5730	5730
Rated operating capacity 74**	3479	3229	3229	4378	4378	4378
Rated operating capacity 78**	3439	3169	3169	-	-	-
Rated operating capacity	-	-	-	-	-	-
Clamping force	-	2940	2940	2945	2945	2945

**Rated operating capacity as determined according to ISO 14397:2007

LOADER ATTACHMENTS – Forklift Performance Data



Model	3CX ECO, 3CX PLUS, 3CX PRO			4CX PLUS			4CX PRO			5CX PRO		
	6ft-l shovel mounted forks	Quickhitch mounted forks	6ft-l shovel mounted forks	Quickhitch mounted forks	6ft-l shovel mounted forks	Quickhitch mounted forks	6ft-l shovel mounted forks	Quickhitch mounted forks	6ft-l shovel mounted forks	Quickhitch mounted forks	6ft-l shovel mounted forks	Quickhitch mounted forks
W: Forks – shoe length	m	1.1	1.1	1.1	1.1	1.1	1.1	1.1	1.1	1.1	1.1	1.1
Forks – shoe width	m	0.08	0.08	0.08	0.08	0.08	0.08	0.08	0.08	0.08	0.08	0.08
X: Forks reach at ground level	m	2.66	2.03	2.78	2.18	2.68	2.68	2.13	2.68	2.13	2.68	2.13
Y: Forks reach at full height	m	2.25	1.72	2.38	1.81	2.30	2.30	1.76	2.30	1.76	2.30	1.76
Z: Forks lift height – max	m	2.92	3.27	2.85	3.23	2.90	2.90	3.28	2.90	3.28	2.90	3.28
Fork spacing – min	m	0.2	0.2	0.2	0.2	0.2	0.2	0.2	0.2	0.2	0.2	0.2
Fork spacing – max	m	2.17	1.03	2.17	1.03	2.17	2.17	1.03	2.17	1.03	2.17	1.03
SWL @ 500mm load centres	kg	1000	2000	1000	2000	1000	1000	2000	1000	2000	1000	2000

LOADER ATTACHMENTS – Direct Mount

Width mm (ft-in)	G.P. Shovel		Capacity SAE	
	Rated m ³	Struck	Rated m ³	Struck
2335 (7-8)	1.0	0.83	1.0	0.76
2350 (7-8)	1.1	0.91	1.2	1.02
2350 (7-8) 4CX PLUS	1.3	1.19	1.2	1.02
2440 (8-0) 4CX PRO, 5CX PRO	-	-	1.3	1.19

BACKHOE PERFORMANCE

Model	3CX ECO, 3CX PLUS, 3CX PRO		4CX PLUS, 4CX PRO		5CX PRO	
	kg†	Standard Dipper	kg†	Standard Dipper	kg†	Standard Dipper
Bucket breakout	Speed Power	5431 6324	5385 6228	5431 6324	5385 6228	5387 6230
Dipper breakout	Exc Ret	— 3217	2255 3225	— 3893	2729 3903	2675 3722
Lift capacity of bucket pivot at full reach	Exc Ret	— 1584	719 1451	— 2046	1082 1885	1199 1556

* Heavy BE excavator

BACKHOE ATTACHMENTS - Standard Profile Buckets

Model	3CX ECO, 3CX PLUS, 3CX PRO, 4CX PLUS, 4CX PRO, 5CX PRO		3CX ECO, 3CX PLUS, 3CX PRO		4CX PLUS, 4CX PRO, 5CX PRO	
	mm	Capacity SAE	Rated m³	Weight (+ Teeth) kg	Rated m³	Weight kg
229	0.04	0.03	0	95	0	0
305 †	0.06	0.05	1.02	102	3	150
356 †	0.075	0.06	1.05	105	3	172
400 †	0.09	0.07	1.09	109	3	172
457 †	0.12	0.09	1.16	116	3	172
610 †	0.17	0.13	1.40	140	4	172
800 †	0.24	0.17	1.62	162	5	172
950 †	0.30	0.21	1.98	198	5	172

* Including sidecutters. With less sidecutters deduct 25mm.

† Available with additional wear strips to give added strength and rigidity.

BACKHOE ATTACHMENTS - Standard Profile Buckets

Model	3CX ECO, 3CX PLUS, 3CX PRO		4CX PLUS, 4CX PRO, 5CX PRO	
	mm	Capacity SAE	Rated m³	Weight (+ Teeth) kg
305	0.09	0.07	0.07	102
356	0.11	0.09	0.09	117
457	0.16	0.13	0.13	122
610	0.23	0.18	0.18	142
800	0.30	0.24	0.24	163
950	0.38 †	0.30	0.30	183
1100	0.48 †	0.34	0.34	203

* Including sidecutters. With less sidecutters deduct 25mm (1in).

† Capacity in cu yd.

DITCHING BUCKETS

Model	3CX ECO, 3CX PLUS, 3CX PRO		4CX PLUS, 4CX PRO, 5CX PRO	
	mm	Capacity SAE	Rated m³	Weight kg
1535	0.22	0.155	0.22	150
1830	0.26	0.186	0.26	172

TAPERED BUCKETS - 3CX & 4CX BE models

Model	Capacity SAE		Angle degrees	
	Rated m³	Struck m³	30	60
381-676	0.07	0.06	30	2
305-1047	0.12	0.10	60	2

4CX PLUS, 4CX PRO, 5CX PRO

Model	Capacity SAE		Weight (+ Teeth)	
	Rated m³	Struck m³	kg	Teeth
305	0.09	0.07	102	3
356	0.11	0.09	117	3
457	0.16	0.13	122	3
610	0.23	0.18	142	4
800	0.30	0.24	163	5
950	0.38	0.30	183	5
1100	0.48	0.34	203	6



ONE COMPANY, OVER 300 MACHINES.

Your nearest JCB dealer

Excavator Loader 3CX ECO, 3CX PLUS, 3CX PRO, 4CX PLUS, 4CX PRO, 5CX PRO
Gross power: 55kW (74hp) - 81kW (109hp) Maximum dig depth: 6.51m Weight: 7702 - 8880kg

JCB Sales Limited, Racerter, Staffordshire, United Kingdom ST14 5JR
Tel: +44 (0)1 889 590312 Email: salesinfo@jcb.com

Download the very latest information on this product range at www.jcb.com

©2008 JCB Sales. All rights reserved. The part of the website may be reproduced, stored in a retrieval system, or transmitted in any form or by any means, electronic, mechanical, photocopying or otherwise, without prior permission from JCB Sales. All responses to the publisher, including weights, sizes, capacities and other performance measurements are provided for guidance only and may vary depending on the exact specification of machine. The model specifications are valid only in relation to standard applications. Conditions and advice should always be sought from your JCB Dealer. JCB reserves the right to change specifications without notice. Illustrations and specifications shown may relate to other equipment and accessories. The JCB logo is a registered trademark of JCB Limited (Incorporated in the UK).



29019 en-GB 11/09 Issue 1 Stage V